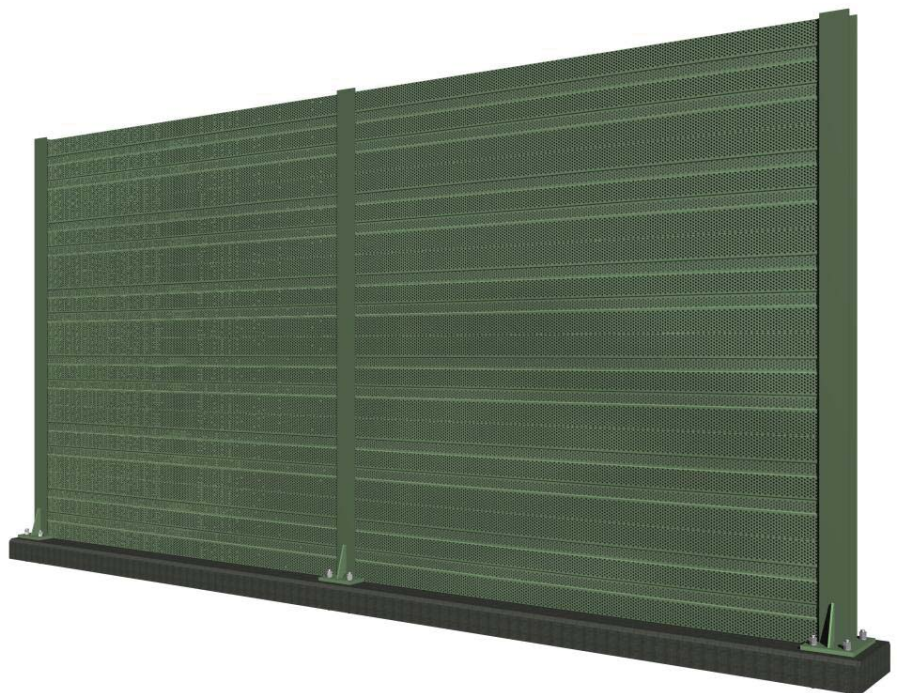


NTECH - NOISE SHIELD TECHNOLOGIES

SILENCE TECH - 1050



Features

Type	Double side panel
Material	Aluminium alloy
Sound-proofing class	A4
Sound-deadening class	B2
Weight	About 12,30 kg/m ²

Description

DOUBLE SIDE panel SILENCE TECH 1050 according to the following norms : UNI EN 1793 and UNI EN 1794.

Panels consist of the assembly of the following elements :

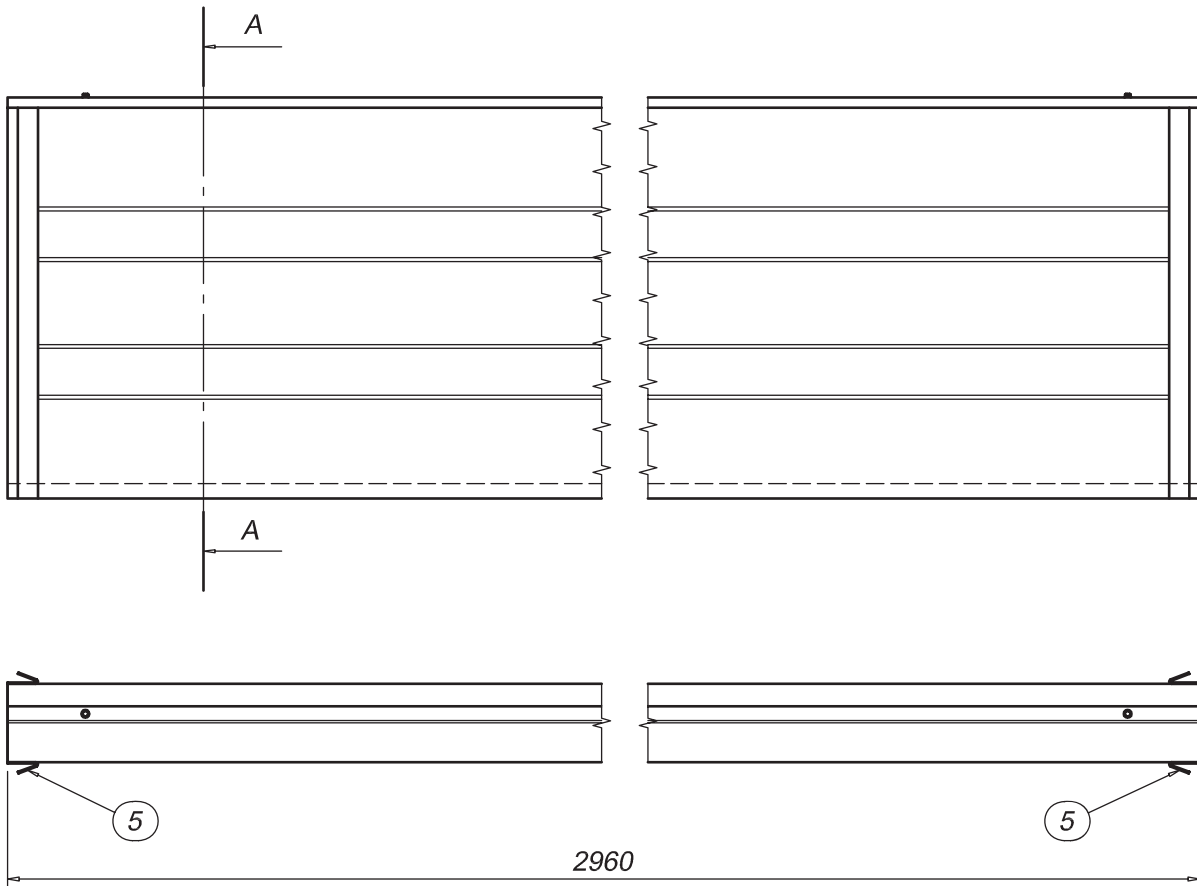
- Panel face exposed to the traffic/source of noise in aluminium alloy th. 1,2 mm. It is shaped and its drilling has diameter 10 mm with a 35% percentage of the total surface.
- Inner insulation with high density material in polyester fibre, thickness 50 mm and density 60 Kg/m³.
- Inner aluminium metal sheet.
- Inner insulation with high density material in polyester fibre, thickness 50 mm and density 60 Kg/m³.
- Panel face exposed to the traffic/source of noise in aluminium alloy th. 1,2 mm. It is shaped and its drilling has diameter 10 mm with a 35% percentage of the total surface.
- Panels are strengthened at their extremities by two plastic caps with anti-vibration gaskets.
- The structure is fixed to the base on the longitudinal side of the panels by means of self-drilling steel bolts HH.

On its longitudinal side the structure has male/female devices for the assembly of the panels.

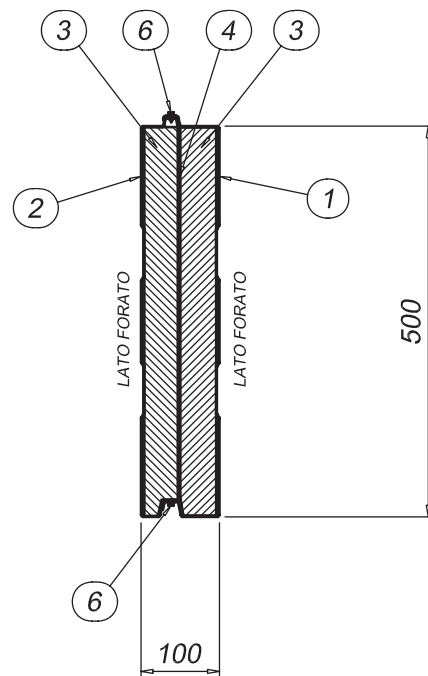
Painting :

The treatment of the panel surface is provided by a powdered coating with a fixing by fire on a high-temperature oven. The min. thickness is 60 µm.

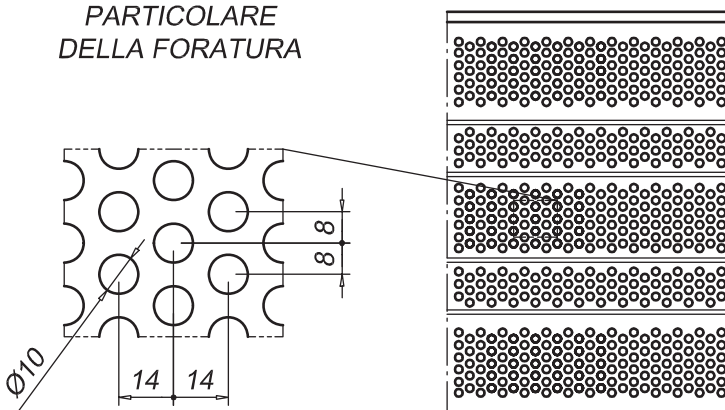
Revision 1 FT of 26/01/2010



SEZIONE A-A



PARTICOLARE DELLA FORATURA



	Description
1	Drilled panel face exposed to the traffic/source of noise L=2960 mm. in aluminium alloy th. 1,2 mm.
2	Panel to the side of the receiver L=2960 mm. in aluminium th. 1,2 mm without drilling
3	Inner insulation with high density material in polyester fibre, thickness 50 mm and density 60 Kg/m ³
4	Inner aluminium metal sheet
5	Plastic caps for HEA 140 profiles
6	Self drilling steel bolts HH

