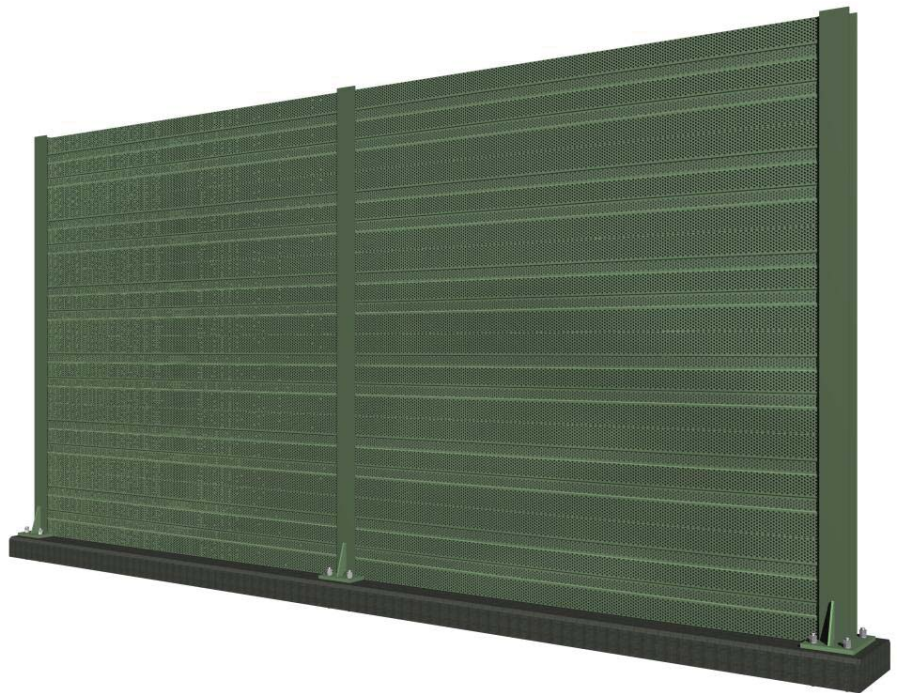
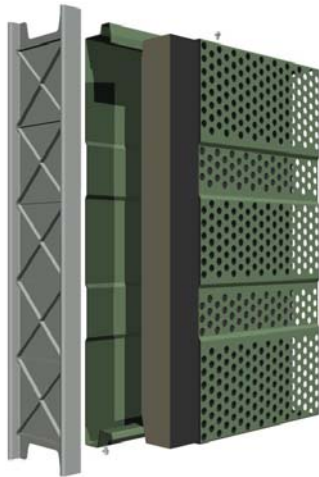


NTECH - NOISE SHIELD TECHNOLOGIES

SILENCE TECH - 1001



Features

| | |
|-----------------------|-------------------------------|
| Type | Single side panel |
| Material | Aluminium alloy |
| Sound-proofing class | A4 |
| Sound-deadening class | B3 |
| Weight | About 12,80 kg/m ² |

DESCRIPTION

SINGLE SIDE panel SILENCE TECH 1001 according to the following norms : UNI EN 1793 and UNI EN 1794.

Panels consist of the assembly of the following elements :

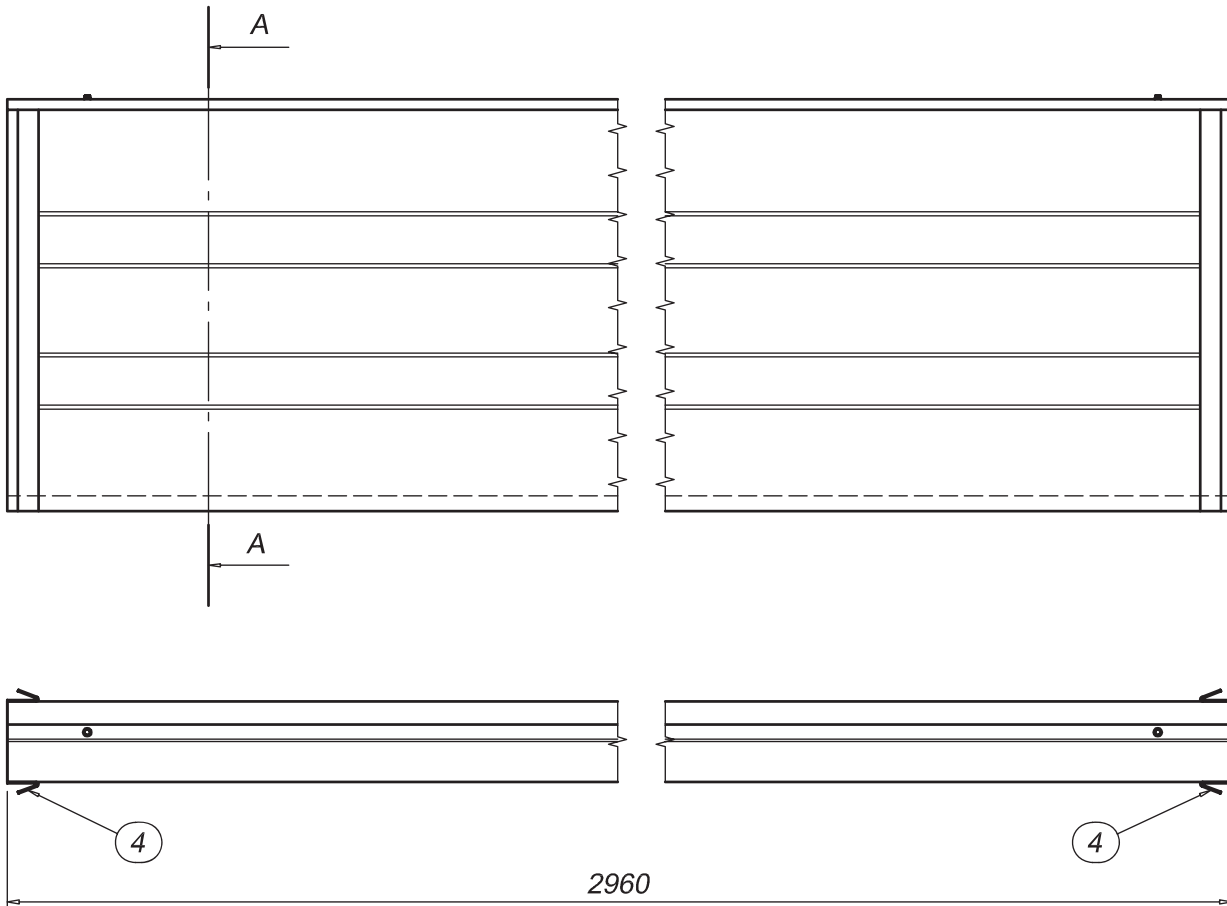
- Panel face exposed to the traffic/source of noise in aluminium alloy th. 1,2 mm. Its drilling has diameter 10 mm with a 35% percentage of the total surface.
- Inside there is a cushion of mineral wool with th. 50 mm and density of 90 Kg/m³ with a protective coating on the exposed side.
- Panel to the side of the receiver is in aluminium th. 1,2 mm without drilling.
- Panels are strengthened at their extremities by two plastic caps with anti-vibration gaskets.
- The structure is fixed to the base on the longitudinal side of the panels by means of self-drilling steel bolts.

On its longitudinal side the structure has male/female devices for the assembly of the panels

Painting :

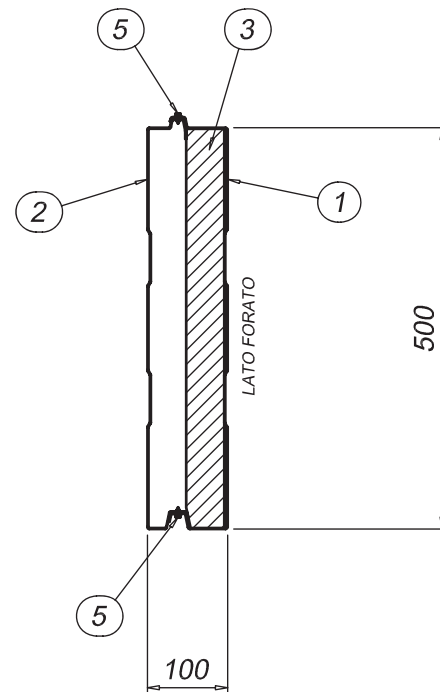
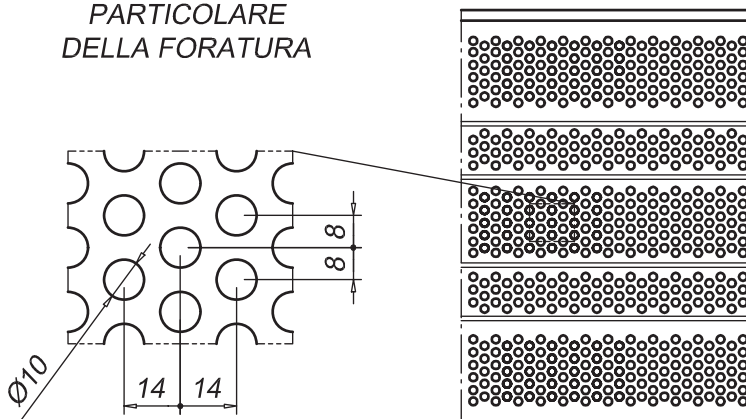
The treatment of the panel surface is provided by a powdered coating with a fixing by fire on a high-temperature oven. The min. thickness is 60 µm.

Revision 1 FT of 26/01/2010



SEZIONE A-A

PARTICOLARE DELLA FORATURA



| | Description |
|---|---|
| 1 | Drilled panel face exposed to the traffic/source of noise L=2960 mm. in aluminium alloy th. 1,2 mm |
| 2 | Panel to the side of the receiver L=2960 mm. in aluminium th. 1,2 mm without drilling |
| 3 | Cushion of mineral wool with th. 50 mm and density of 90 Kg/m ³ with a protective coating on the side exposed to the traffic |
| 4 | Plastic caps for HEA 140 profiles |
| 5 | Self drilling steel bolts HH |

